

PRO-EC44 Single or two loop advanced controller with graphic display



KEY FEATURES

- 1/4 DIN Format
- Single or Two Loop
- Graphical / text LCD Display (red/green)
- USB configuration and data access
- Profiler 256 segments shared in 64 progs
- Datalogger with real time clock
- Modbus RS485 or Modbus TCP Ethernet
- Standards CE, UL

Overview

Pro-EC44 is a 1/4 DIN process controller with graphical text display, advanced control capability and modular I/O options providing flexibility to fit wide range of industrial manufacturing and process applications.

Fast and easy front panel setup for both for simple and advanced control tasks

Pro-EC44 simplifies user setup with a step by step wizard configuration saving working through several menus for initial setup. A Logical menu structure for intuitive navigation allows fast changes and updates to individual settings.

Configure controllers without connecting to a PC

Configuration files can be downloaded to a controller using a flash memory stick via the front USB port allowing for fast programming. Settings can also be read via the USB port to clone additional devices or configure a replacement. Datalog files can also be extracted locally via the USB for convenient access of process data.

Easy access user operation

The Pro-EC44 pages are formatted to show users important process information on a single page, minimising the steps to access data and settings. A colour change green/red LED backlight provides easily recognisable alarm indication to improve response times for corrective action.

Comprehensive control and much more.

Pro-EC44 includes many features to ensure good control performance on a wide range of applications. Single or dual loop capability in a single device, cascade, valve and ratio enhanced control with support features such as real time clock, timer, gain scheduling and profiler ensure Pro-EC44 has the flexibility for a process system needs. In addition datalogging, trending, USB, Ethernet options add even more capability to an already powerful device.

Fast configuration via configuration interface.

Direct access for programming is available via a top of controller connection port. The interface provides easy and fast access with Blue Control software to configure the controller or drilldown into process issues with minimal disruption.

Key Features

1 or 2 control loops
ON/OFF, PID heat only & Heat/Cool, Valve Motor Drive, Ratio Cascade Control
255 segment profiler shared in 64 programs
5 PID sets manual or automatic gain scheduling
7 Alarms – absolute, deviation, rate of change, sensor break, recorder memory, power
Datalogging function
USB host for configuration (read/write) and logged data (read)
Ethernet – Modbus TCP, RS485 - Modbus RTU (Master/Slave)
Up to 2 analogue inputs, 9 outputs, remote setpoint input, 9 digital inputs

Specification

UNIVERSAL INPUT 1 AND 2

Sampling Rate:	10 per second.
Resolution:	16 bits. Always four times better than display resolution.
Impedance:	>10M Ω resistive, except DC mA (5 Ω) and V (47k Ω).
Temp Stability:	Error <0.01% of span per $^{\circ}$ C change in ambient temperature.
Supply Variation:	Supply voltage influence negligible within supply limits.
Humidity Influence:	Negligible if non-condensing.
Process Display:	Displays up to 5% over and 5% under span limits.
Process Variable Input Offset:	Reading adjustable \pm Controller Span. +ve values added to Process Variable, -ve values subtracted from Process Variable
Sensor Break Detection:	Thermocouple & RTD - Control goes to pre-set power value. High & Sensor Break alarms activate. Linear (4 to 20mA, 2 to 10V & 1 to 5V only) - Control goes to pre-set power value. Low & Sensor Break alarms activate.

Isolation: Reinforced safety isolation from outputs and other inputs

Supported Thermocouple Types & Ranges:

Type	Range $^{\circ}$ C	Range $^{\circ}$ F	
B	+100 to 1824 $^{\circ}$ C	+211 to 3315 $^{\circ}$ F	
C	0 to 2320 $^{\circ}$ C	32 to 4208 $^{\circ}$ F	
D	0 to 2315 $^{\circ}$ C	32 to 4199 $^{\circ}$ F	
E	-240 to 1000 $^{\circ}$ C	-400 to 1832 $^{\circ}$ F	
J	-200 to 1200 $^{\circ}$ C	-328 to 2192 $^{\circ}$ F	*
K	-240 to 1373 $^{\circ}$ C	-400 to 2503 $^{\circ}$ F	*
L	0 to 762 $^{\circ}$ C	32 to 1402 $^{\circ}$ F	*
N	0 to 1399 $^{\circ}$ C	32 to 2551 $^{\circ}$ F	*
PtRh 20%:40%	0 to 1850 $^{\circ}$ C	32 to 3362 $^{\circ}$ F	
R	0 to 1759 $^{\circ}$ C	32 to 3198 $^{\circ}$ F	
S	0 to 1762 $^{\circ}$ C	32 to 3204 $^{\circ}$ F	
T	-240 to 400 $^{\circ}$ C	-400 to 752 $^{\circ}$ F	*
<i>Optional decimal place can be displayed on all ranges</i>			

Thermocouple Calibration: \pm 0.1% of full range, \pm 1LSD (\pm 1 $^{\circ}$ C for internal CJC if enabled).
Linearization better than better \pm 0.2 $^{\circ}$ C (\pm 0.05 typical) on ranges marked * in the table above.
Linearization for other ranges is better than better than \pm 0.5 $^{\circ}$ C.
BS4937, NBS125 & IEC584

Supported RTD Types & Ranges:

Type	Range $^{\circ}$ C	Range $^{\circ}$ F
3-Wire PT100	-199 to 800 $^{\circ}$ C	-328 to 1472 $^{\circ}$ F
NI120	-80 to 240 $^{\circ}$ C	-112 to 464 $^{\circ}$ F
<i>Optional decimal place can be displayed on all ranges</i>		

RTD Calibration: 0.1% of full range, \pm 1LSD.
Linearization better than \pm 0.2 $^{\circ}$ C (\pm 0.05 typical).
PT100 input to BS1904 & DIN43760 (0.00385 Ω / Ω / $^{\circ}$ C).

RTD Excitation: Sensor current 150 μ A \pm 10%.

Lead Resistance: <0.5% of span error for max 50 Ω per lead, balanced.

Supported Linear Types & Ranges:

mA DC	0 to 20mA DC	4 to 20mA DC
mV DC	0 to 50mV DC	10 to 50mV DC
V DC	0 to 5V DC	1 to 5V DC
V DC	0 to 10V DC	2 to 10V DC
Potentiometer	\geq 100 ohms	N/A
<i>Scalable from -2000 to 100000. Decimal point selectable from 0 to 3 places, but rounds to 2 places above 99.999; 1 place above 999.99 and no decimal above 9999.9.</i>		

Maximum Overload: 1A on mA input terminals, 30V on voltage input terminals.

DC Calibration: \pm 0.1% of full range, \pm 1LSD.

DC Input Multi-Point Linearization: Up to 15 scaling values can be defined anywhere between 0.1 and 100% of input.

Input Functions:

	Loop 1	Loop 2
Process Control	Loop 1	Loop 2
Cascade Control	Slave Loop	Master Loop
Ratio Control	Controlled Variable	Un-controlled Variable
Remote Setpoint (RSP)	-	RSP on loop 1
Valve Position Feedback	-	Valve on loop 1
<i>RSP Linear inputs only, scalable between -9999 to 10000, but actual setpoint value is kept within the setpoint limit settings</i>		

#AUXILIARY INPUT A

Supported Input Types & Ranges:

MA DC	0 to 20mA DC	4 to 20mA DC
V DC	0 to 5V DC	1 to 5V DC
V DC	0 to 10V DC	2 to 10V DC

- Accuracy: $\pm 0.25\%$ of input range ± 1 LSD.
- Sampling Rate: 4 per second.
- Resolution: 16 bits.
- Impedance: $>10M\Omega$ resistive, except DC mA (10Ω) and V ($47k\Omega$).
- Sensor Break Detection: 4 to 20mA, 2 to 10V and 1 to 5V ranges only. *Control goes to pre-set power value if Aux Input is the active setpoint source.*
- Isolation: Reinforced safety isolation from outputs and inputs.
- Input Function: Remote Setpoint (RSP) input, Scalable between ± 0.001 & ± 10000 , but always constrained by the setpoint limit settings.

DIGITAL INPUTS A & C

Selectable Digital Input Functions:

Function	Logic High*	Logic Low*
┌┐ Loop 1 Control Select	Enabled	Disabled
┌┐ Loop 2 Control Select	Enabled	Disabled
┌┐ Loop 1 Auto/Manual Select	Automatic	Manual
┌┐ Loop 2 Auto/Manual Select	Automatic	Manual
┌┐ Loop 1 Setpoint Select	Main SP	Alternate SP
┌┐ Loop 2 Setpoint Select	Main SP	Alternate SP
┌┐ Loop 1 Pre-Tune Select	Stop	Run
┌┐ Loop 2 Pre-Tune Select	Stop	Run
┌┐ Loop 1 Self-Tune Select	Stop	Run
┌┐ Loop 2 Self-Tune Select	Stop	Run
■ Profile Run/Hold	Hold	Run
■ Profile Hold Segment Release	Release	No Action
■ Profile Abort	Abort	No Action
■ Data Recorder Trigger	Not Active	Active
■ Output <i>n</i> Forcing Open/Close	Open	Closed
■ Clear All Latched Outputs	No Action	Reset
■ Output <i>n</i> Clear Latch	No Action	Reset
■ Key <i>n</i> Mimic (for <i>LDUR</i>)	No Action	Key Pressed
■ Inputs C1-C7 can be used as Binary or BCD Profile Selection	Binary 0	Binary 1
<i>*The High/Low function can be switched using Inputs to Invert.</i>		

- Digital Input Sensitivity: Inputs work in parallel with equivalent menus, either can change function status. Response <0.25 second.
- = Level Sensitive: High or low sets status.
 - ┌┐ = Edge Sensitive: High-Low or Low-High transition changes function. Pre-Tune always off at power on (except auto pre-tune), but others retain their power off status at power on.
- Std. Logic State: Open contacts ($>5000\Omega$) or 2 to 24VDC signal = Logic High
- Volt-free (or TTL): Closed contacts ($<50\Omega$) or -0.6 to +0.8VDC signal = Logic Low.
- Inverted Logic: Open contact ($>5000\Omega$) or 2 to 24VDC signal = Logic Low
- Closed contact ($<50\Omega$) or -0.6 to +0.8VDC signal = Logic High.
- Number Available: 0 to 9. One from Module Slot A, 8 from Multi-Digital Input C
- Isolation: Reinforced safety isolation from inputs and outputs.

OUTPUTS

Caution: Plastic pegs prevent fitting of older non-reinforced single relay modules –Remove the peg to fit dual relays (all dual relay modules have reinforced isolation)

Single Relay 1-3

Type: 1 x Single pole double throw (SPDT). Plug-in Modules 1, 2 & 3.
Rating: 2A resistive at 120/240VAC with >500,000 and which contacts operations at full rated AC voltage/current. De-rate for DC loads.
Isolation: Reinforced safety isolation from inputs and other outputs.

Dual Relay 2-3

Type: 2 x Single pole single throw (SPST*). Plug-in Modules 2 & 3.
Rating: 2A resistive at 120/240VAC with >200,000 and which contacts operations at full rated AC voltage/current. De-rate for DC loads.
*Dual relay modules have shared common terminal.
Isolation: Reinforced safety isolation from inputs and other outputs.

Base Relay 4-5

Type: 1 x single pole single throw (SPST). Base outputs 4 & 5.
Rating: 2A resistive at 120/240VAC with >200,000 operations and which contacts at full rated voltage/current. De-rate for DC loads.
Isolation: Reinforced safety isolation from inputs and other outputs.

SSR Driver 1-3

Type: 1 x Logic / SSR Driver output. Plug-in Modules 1, 2 & 3.
Drive Capability: Driver voltage >10V into 500 Ω minimum.
Isolation: Isolated from all inputs/output except other SSR driver outputs.

2x SSR Driver 2-3

Type: 2 x Logic / SSR Driver outputs*. Plug-in Modules 2 & 3.
Drive Capability: Driver voltage >10V into 500 Ω minimum.
*Dual SSR Driver modules have shared positive terminal.
Isolation: Isolated from all inputs/output except other SSR driver outputs.

Triac 1-3

Type: 1 x Triac output. Plug-in Modules 1, 2 & 3.
Operating Voltage: 20 to 280Vrms (47 to 63Hz)
Current Rating: 0.01 to 1A (full cycle rms on-state @ 25°C);
de-rates linearly above 40°C to 0.5A @ 80°C.
Isolation: Reinforced safety isolation from inputs and other outputs.

Linear DC 1, 6-7

Type: 1 x Analogue DC output. Plug-in Module 1 & Base outputs 6 & 7.
Ranges: 0 to 5, 0 to 10, 2 to 10V & 0 to 20, 4 to 20mA (selectable) with 2% over/under-drive when used for control outputs, or 0-10V adjustable Transmitter PSU.
Resolution: 8 bits in 250mS (10 bits in 1s typical, >10 bits in >1s typical).
Accuracy: $\pm 0.25\%$ of range, (mA @ 250 Ω , V @ 2k Ω). Degrades linearly to $\pm 0.5\%$ for increasing burden (to specification limits).
Isolation: Reinforced safety isolation from inputs and other outputs.

Transmit PSU 2-3

Type: 1 x DC Excitation output. Plug-in Modules 2 & 3. **Caution:** Only one Transmit PSU is supported. Do not fit in both positions.
Power Rating: 24V nominal (19 to 28V DC) into 910 Ω minimum resistance. (Option to use DC Linear output as 0-10V stabilised PSU).
Isolation: Reinforced safety isolation from inputs and other outputs.

COMMUNICATIONS**PC Configuration**

Functions: PC software configuration, data extraction and profile creation.
Connection: RS232 via PC Configurator Cable to RJ11 socket under case.
Isolation: Not isolated from input or SSR Driver outputs. For bench configuration only. **CAUTION:** Do not use in live applications.

RS485

Functions: Setpoint broadcast master or general communications slave (inc. extraction of data recordings, transfer of configuration & profile files to/from PC software).
Connection: Plug-in Module Slot A. Connection to rear terminals 16-18.
Protocol: Modbus RTU.
Address Range: Slave address 1-255 or Setpoint master broadcast mode.
Supported Speeds: 4800, 9600, 19200, 38400, 57600 or 115200 bps.
Data Type: 10 or 11 (1 start & 1 stop bit, 8 data bits plus 1 optional parity bit).
Isolation: 240V reinforced safety isolation from all inputs and outputs.

Ethernet

Functions	General communications (inc. extraction of data recordings, transfer of configuration & profile files to/from PC software).
Connection:	Locates in Module Slot A. Connection via RJ45 connector on top of case.
Protocol:	Modbus TCP. Slave only.
Supported Speed:	10BaseT or 100BaseT (automatically detected).
Isolation:	240V reinforced safety isolation from the supply, inputs and outputs.

USB

Functions	Extraction of data recordings, transfer of configuration & profiles files to/from PC software or direct to another controller.
Connection:	Connection via optional front mounted connector.
Protocol:	USB 1.1 or 2.0 compatible. Mass Storage Class.
Supply Current:	Up to 250mA.
Targeted Peripheral:	USB Memory Stick.
Isolation:	Reinforced safety isolation from all inputs and outputs.

LOOP CONTROL

Control types	1 or 2 control loops , each with either standard PID (single or dual control) or Valve Motor Drive (3-point stepping PID control). 2 internally linked cascade loops , with standard PID (single or dual control) or Valve Motor Drive (3-point stepping PID control). 1 Ratio loop for combustion control.
VMD Feedback	Second input can provide valve position feedback or flow indication. Feedback not required or used for control algorithm.
Tuning Types:	Pre-tune, Auto Pre-tune, Self-tune or manual tuning with up to 5 PID sets stored internally.
Gain Scheduling	Automatically switch in the 5 PID sets at user definable break-points relating to PV or SP value.
Proportional Bands:	Single (Primary) or Dual (Primary & Secondary - e.g. Heat & Cool) 1 to 9999 units or On-Off control.
Automatic Reset:	Integral Time Constant, 1s to 99min 59s or OFF
Rate:	Derivative Time Constant, 1s to 99 min 59s or OFF
Manual Reset:	Bias 0 to 100% (-100% to +100% with Dual control).
Deadband/ Overlap:	Overlap (+ve values) or Deadband (-ve values) between Primary & Secondary Proportional Bands for Dual Control. Adjustable In display units - limited to 20% of the combined primary & secondary proportional band width.
Differential:	ON-OFF switching differential 1 to 300 units
Auto/Manual Control:	Selectable with "bumpless" transfer when switching between Automatic and Manual control.
Cycle Times:	Selectable from 0.5s to 512s.
Setpoint Ramp:	Ramp rate selectable 1 to 9999 LSDs per hour or Off (infinite).

ALARMS

Alarm Types:	7 alarms can be assigned as Process High; Process Low; PV-SP Deviation; Band; Control Loop; Rate Of Signal Change per minute – all with adjustable minimum duration* before activation and optional start-up inhibit function. Input Signal Break; % Recorder Memory Used, Control Power High, Control Power Low or Unused. *CAUTION: If the duration is less than this time, the alarm will not activate no matter what the value is.
Alarm Hysteresis:	Adjustable deadband from 1 LSD to full span (in display units) for Process, Band or Deviation Alarms.
Combination Alarm & Events Outputs:	Logically AND or OR any alarm or profile event (inc Profile running or ended) to switch an output. This can be when the condition is true, or the condition is not true.

DATA RECORDER

Recording Memory:	1Mb non-volatile flash memory. Data retained when power is turned off.
Recording Interval:	1; 2; 5; 10; 15; 30 seconds or 1; 2; 5; 10; 15; 30 minutes.
Recording Capacity:	Dependant on sample rate and number of values recorded. Example: Two values will record for 21 days at 30s intervals. More values or faster sample rates reduce the duration.
RTC Battery Type:	VARTA CR 1616 3V Lithium. Clock runs for >1 year without power.
RTC accuracy	Real Time Clock error <1second per day.

PROFILER

A Profiler Enable Key can be purchased from your supplier if the feature is disabled.	
Profile Capacity	Max 255 segments, shared by max 64 profiles
Segment Types	Ramp Up/Down over time, Ramp Rate Up/Down*, Step, Dwell, Hold, Loop, Join A Profile, End or Repeat Sequence Then End. *Ramp Rate Up/Down is not available when profile controls two loops

Timebase	hh:mm:ss (Hours, Minutes & Seconds).
Segment Time	Maximum segment time 99:59:59 hh:mm:ss. Use loop-back for longer segments (e.g. 24:00:00 x 100 loops = 100 days).
Ramp Rate	0.001 to 9999.9 display units per hour.
Hold Segment Release	Release With Key Press, At Time Of Day or Digital Input.
Profile starting point	The first segment setpoint(s) begin from either the setpoint, or current measured input value, of the controlled loop(s)
Delayed Start	After 0 to 99:59 (hh:mm) delay, or at specified day(s) & time.
End On	Keep Last Profile Setpoint, Use Controller Setpoint or Control Outputs Off.
Abort Action	Keep Last Profile Setpoint, Use Controller Setpoint or Control Outputs Off.
Power/signal Loss Recovery	Continue Profile, Restart Profile, Keep Last Profile Setpoint, Use Controller Setpoint or Control Outputs Off.
Auto-Hold	Hold if input >Band above and/or below SP for each segment.
Profile Control	Run, Manual Hold/Release, Abort or jump to next segment.
Profile Timing Accuracy	0.02% Basic Profile Timing Accuracy. ±<0.5 second per Loop, End or Join segment.
Profile Cycling	1 to 9999 or Infinite repeats per profile.
Sequence Repeats	1 to 9999 or Infinite repeats of joined profile sequence.
Loop Back	1 to 9999 loops back to specified segment.
Segment Events	Events turn on for the duration of the segment. For End Segments, the event state persists until another profile starts, the user exits from profiler mode, or the unit is powered down.

OPERATING CONDITIONS (FOR INDOOR USE)

Temperature:	0°C to 55°C (Operating), -20°C to 80°C (Storage).
Relative Humidity:	20% to 90% non-condensing.
Altitude	<2000m above sea level.
Supply Voltage and Power:	<i>Mains versions:</i> 100 to 240VAC ±10%, 50/60Hz, 20VA. <i>Low voltage versions:</i> 20 to 48VDC 50/60Hz 15VA or 22 to 65VDC 12W.
Front Panel Cleaning	Wash with warm soapy water and dry immediately. <i>Close the USB cover (if fitted) before cleaning.</i>

CONFORMANCE NORMS

EMI:	CE: Complies with EN61326.
Safety Considerations:	CE: Complies with EN61010-1 Edition 3. UL, cUL to UL61010C-1. Pollution Degree 2, Installation Category II.
Front Panel Sealing:	To IP66 (IP65 front USB connector). <i>IP20 behind the panel.</i> <i>(IP rating not recognised / approved by UL).</i>

DISPLAY

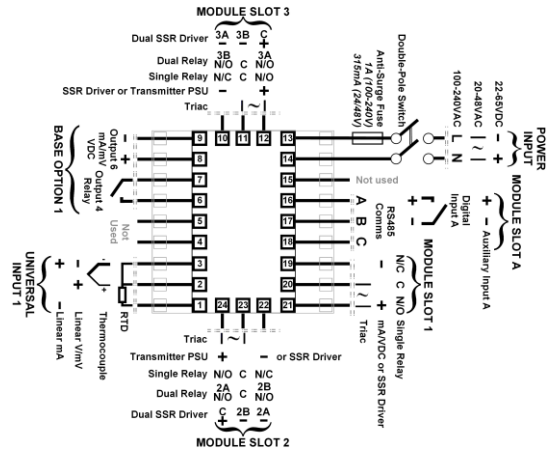
Display Type:	160 x 80 pixel, monochrome graphic LCD with a two colour (red/green) backlight.
Display Area:	66.54mm (W) x 37.42mm (H).
Display Characters:	0 to 9, a to z, A to Z, plus () @ ß - and _
Trend Views:	One optional trend graph for each control loop each with 120 of 240 data points shown in a scrollable window. Data is not retained when power turned off or if time base is changed.
Trend Data:	Any active alarm, plus PV (solid) & SP (dotted) at sample time or Max/Min PV between samples (candle-stick graph). Auto scales from 2 to 100% of Input Span.
Trend Sample Rate:	1; 2; 5; 10; 15; 30 seconds or 1; 2; 5; 10; 15; 30 minutes. Set independently for each trend graph.

DIMENSIONS

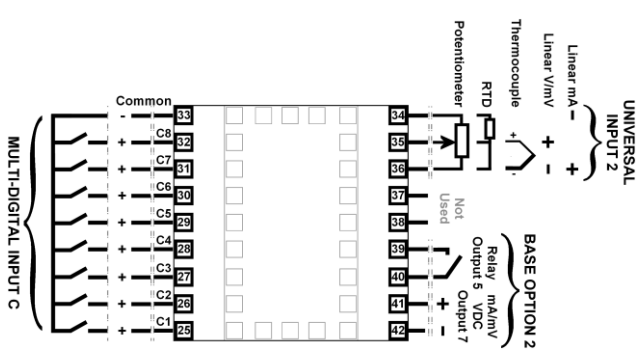
Weight:	0.65kg maximum.
Size:	96 x 96mm (Front Bezel). 117mm (Depth Behind Panel).
Mounting Panel:	Panel must be rigid. Maximum thickness 6.0mm (0.25inch).
Panel Cut-out Size:	92mm x 92mm. Tolerance +0.5, -0.0mm.
Ventilation	20mm gap required above, below and behind.

Wiring Connections

Central Terminals 1 to 24



Outer Terminals 25 to 42



West Control Solutions – International Sales and Support

CHINA

Danaher Setra-ICG (Tianjin Co., Ltd.
No.28 Wei 5 Road,
The Micro-Electronic Industry Park TEDA,
Xiqing District, Tianjin 300385
Tel: +86 22 8398 8098 Fax: +86 22 8398 8099
Sales Hotline: 400 666 1802
e-mail: EnquiriesChina@West-CS.com

FRANCE

Tel: +33 (1) 77 80 90 40 Fax: +33 (1) 77 80 90 50
e-mail: EnquiriesFrance@West-CS.com

GERMANY

PMA Prozeß- und, Maschinen- Automation GmbH,
Miramstraße 8, 7D -34123 Kassel
Tel: +49 (561) 505-1307 Fax: +49 (561) 505-1710
e-mail: EnquiriesGermany@West-CS.com

UNITED KINGDOM

West Control Solutions
The Hyde Business Park, Brighton, East Sussex, BN2 4JU
Tel: +44 (0)1273 606271 Fax: +44 (0)1273 609990
e-mail: EnquiriesUK@West-CS.com

USA

West Control Solutions
1675 Delany Road, Gurnee, IL 60031-1282

West ProEC44

Distributor

ThermX Southwest

7370 Opportunity Rd., Suite S
San Diego, CA 92111

(800) 284-3769 www.thermx.com

Specifications are subject to change without notice, as a result of continual development and improvement, E&OE