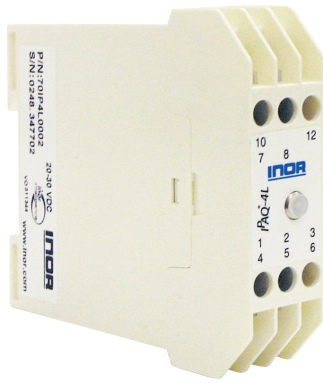


IPAQ-4L

Universal High-Isolation 4-wire Transmitter



IPAQ-4L is a fully universal and programmable 4-wire (separately powered) transmitter. The high isolation provides safe and problem free measurements. Offering both current and voltage output, IPAQ-4L meets any process requirements. Designed for wall and DIN-rail mounting.

- High level isolation - 4000 VAC
- Fully universal and linearized
- Accepts RTD, T/C, mV, V, mA and Ω
- Current and voltage output
- Sensor and system error correction
- Full access to all features while in operation
- NAMUR compliant
- Consistent sensor break function
- Simplified loop check-up with calibration output
- Low sensor isolation detection
- IPRO, easy-to-use Windows configuration software

Specifications:

Input RTD and Resistance	3-, 4-wire connection
Pt100 ¹⁾	-200 to +1000 °C / -328 to +1832 °F
Pt1000 ($\alpha=0.00385$)	-200 to +200 °C / -328 to +392 °F
PtX $10 \leq X \leq 1000$ ($\alpha=0.00385$)	Upper range depending on X value
Ni100 ²⁾ , Ni120 ³⁾	-60 to +250 °C / -76 to +482 °F
Ni1000 ²⁾	-100 to +150 °C / -148 to +302 °F
Cu10 ⁴⁾	-200 to +260 °C / -328 to +500 °F
Potentiometer / resistance	0 to 8000 Ω
Input Thermocouple	B, C, E, J, K, L, N, R, S, T, U
Input Voltage	-10 to +500 mV / -10 to +50 V
Input Current	-1 to +50 mA
Sensor failure / Low isolation	User definable output
Adjustments - Zero	Any value within range limits
Adjustments - Minimum spans	
Pt100, Pt1000, Ni100, Ni1000	10 °C/18 °F
Potentiometer	10 Ω for $R \leq 2000 \Omega$, 100 Ω for $R > 2000 \Omega$
T/C, mV	2 mV
Volt	0,25 V
Current	0.4 mA
Output	0/4-20 or 20-4/0 mA, 0/2-10 or 10-2/0 V
Operating temperature	-20 to +70 °C/-4 to +158 °F
Galvanic isolation	4000 VAC, 1 min
Power supply	Part No. 70IP4L0001 90 to 250 VAC / 110 to 220 VDC Part No. 70IP4L0002 20-30 VDC
Typical accuracy	$\pm 0.1\%$ of span
Mounting	Rail acc. to DIN EN50022, 35 mm and wall (brackets)

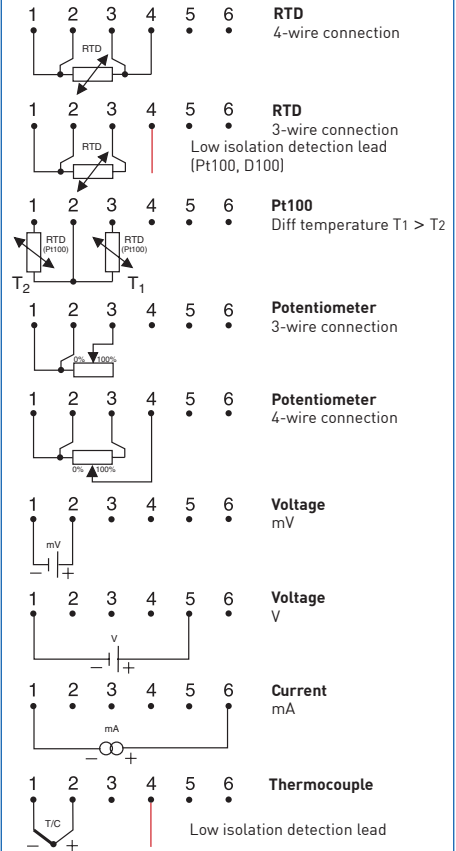
¹⁾ $\alpha=0.00385$, $\alpha=0.003916$ or $\alpha=0.003902$ ²⁾DIN 43760 ³⁾Edison No. 7 ⁴⁾Edison No. 15

INOR IPAQ-4L

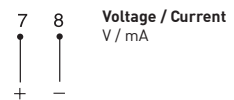
Distributor - ThermX Southwest

7370 Opportunity Road, Suite S, San Diego, CA 92111-1414 (800) 284-3769 www.thermx.com

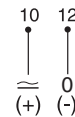
Input connections



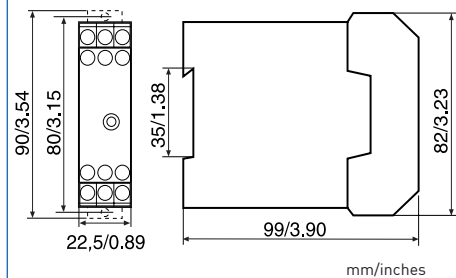
Output connections



Power supply



Dimensions



Ordering information

IPAQ-4L	70IP4L0001
[Power supply 90-250 VAC/110-220 VDC]	
IPAQ-4L	70IP4L0002
[Power supply 20-30 VDC]	
PC Configuration Kit	70CFG00092
Configuration	70CAL00001