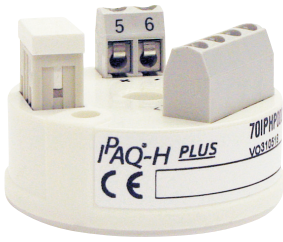


IPAQ-H^{PLUS}

High-precision Universal Programmable 2-wire Transmitter



IPAQ-HPLUS offers outstanding accuracy, stability and high isolation combined with short response time and extended functionality. It is a universal 2-wire transmitter for high-demand temperature and process measurement applications. Error corrections and sensor diagnostics improve the measurement accuracy and safety.

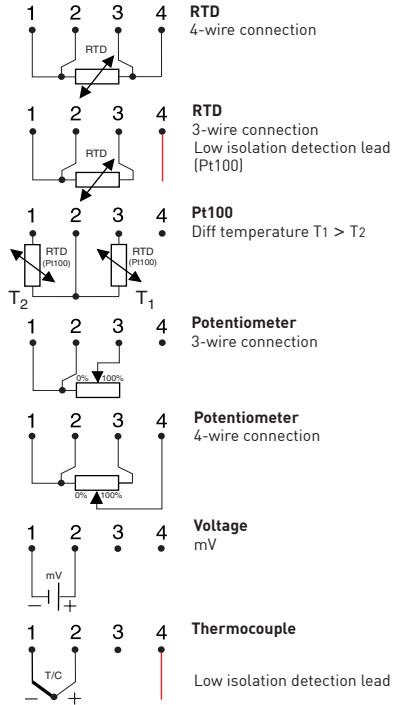
- Fully universal, linearized and highly isolated
- Accepts RTD, T/C, mV and Ω
- Extra high accuracy and stability
- Sensor error and system (sensor/transmitter) error correction for highest total accuracy
- 40 point linearization - any sensor can be matched
- Configuration without external power
- High speed update (300 ms)
- Selectable output limits
- Low sensor isolation detection
- Full access to all features while in operation
- NAMUR compliant
- Consistent sensor break function
- Simplified loop check-up with calibration output
- IPRO, easy-to-use Windows configuration software

Specifications:

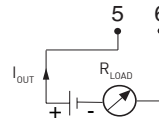
Input RTD	3-, 4-wire connection
Pt100 ($\alpha=0.00385$)	-200 to +1000 °C / -328 to +1832 °F
Pt1000 ($\alpha=0.00385$)	-200 to +200 °C / -328 to +392 °F
PtX $10 \leq X \leq 1000$ ($\alpha=0.00385$)	Upper range depending on X-value
Pt100 ($\alpha=0.003902$)	-200 to +1000 °C / -328 to +1832 °F
Pt100 ($\alpha=0.003916$)	-200 to +1000 °C / -328 to +1832 °F
Ni100 ¹⁾ , Ni120 ²⁾	-60 to +250 °C / -76 to +482 °F
Ni1000 ¹⁾	-100 to +150 °C / -148 to +302 °F
Cu10 ³⁾	-200 to +260 °C / -328 to +500 °F
Input Potentiometer/resistance	3-, 4-wire connection, 0 to 2000 Ω
Input Thermocouples	Types B, C, E, J, K, L, N, R, S, T, U
Input mV	-10 to +500 mV
Sensor failure/Low isolation	User definable output
Adjustments - Zero	Any value within range limits
Adjustments - Minimum spans	
Pt100, Pt1000, Ni100, Ni1000	10 °C / 18 °F
Potentiometer	5 Ω
T/C, mV	2 mV
Output	4-20 / 20-4 mA, temperature linear
Operating temperature	-40 to +85 °C / -40 to +185 °F
Galvanic isolation	3750 VAC, 1 min
Power supply	6.5 to 36 VDC
Typical accuracy	± 0.05 % of span
Connection head	DIN B or larger

DIN 43760 ²⁾Edison No. 7 ³⁾Edison No. 15

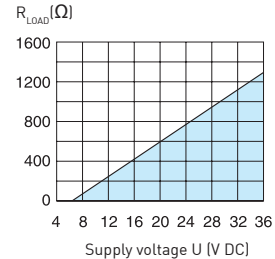
Input connections



Output connections

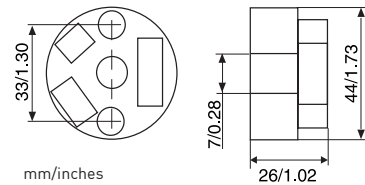


Output load diagram



$$R_{LOAD} = (U - 6.5) / 0.022$$

Dimensions



Ordering information

IPAQ-H ^{PLUS}	70IPHP0001
PC Configuration Kit	70CFG00092
Configuration	70CAL00001

INOR IPAQ-HPlus

Distributor - ThermX Southwest 7370 Opportunity Road, Suite S, San Diego, CA 92111-1414 (800) 284-3769 www.thermx.com